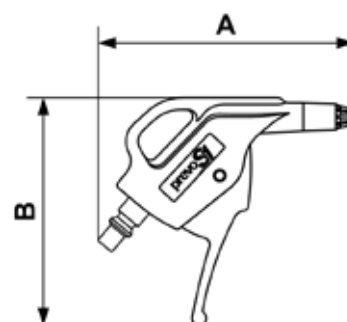


## PREVOS1 BLOW GUNS - ARO 210 PROFILE - 6 MM

PREVOS1 blow gun with silent nozzle

Profile : ARO 210



Buse	Force of blow-molding	Flow rate at 6 bar	Max. operating pressure	Material
Silent	165 (G)	0.2 (BAR)	12	Polyamide

Part number	Flow rate at 6 bar (l/min)	Sound level (DBA)	Length (m)	Dim. A (mm)	Dim. B (mm)
ABG 06SIL	160	74	0.044	109	97